

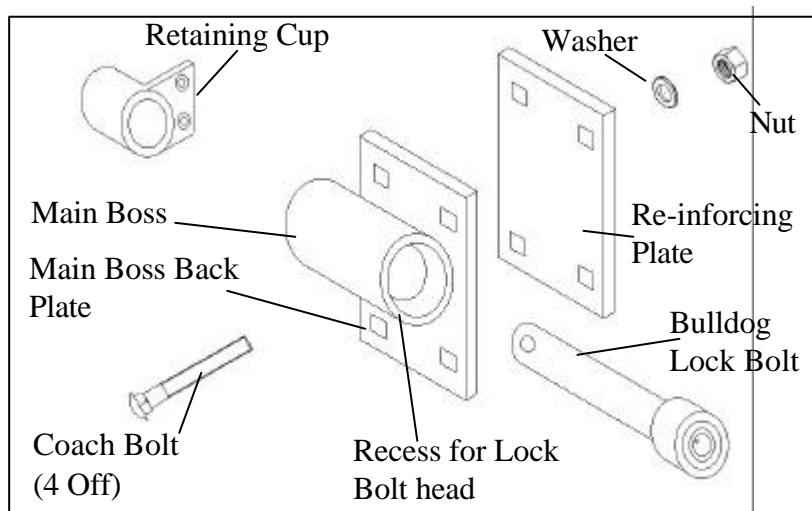


## Bulldog High Security Door Lock GR700.

### Features:-

1. Main boss is 50mm Dia (2") welded to back plate 75 x 6mm with holes for fixing bolts.
2. Bulldog Lock Bolt supplied (King Pin type) to pass through boss and into retaining cup.
3. Retaining cup is inserted into the door frame and held in with two wood screws. Hole to take receiving cup has to be made 40mm diameter and 40mm deep into the door frame.
4. 4 coach bolt fixings M10 x 75mm supplied also including re-inforcing plate for inside of door.
5. Main boss welded to back plate and Bulldog Lock Bolt are case hardened to resist attack.
6. Weight = 2.0kg

Note. Door post needs to be large enough to fit receiving cup without weakening post e.g. 100mm 4".



**BULLDOG SECURITY PRODUCTS LIMITED**  
**Units 1 - 4 Stretton Road, Much Wenlock, Shropshire, TF13 6DH.**  
**Tel: 01952 728171 Fax: 01952 728117**  
**email: sales@bulldogsecure.com webpage: www.bulldogsecure.com**