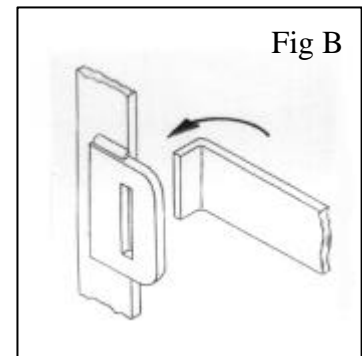
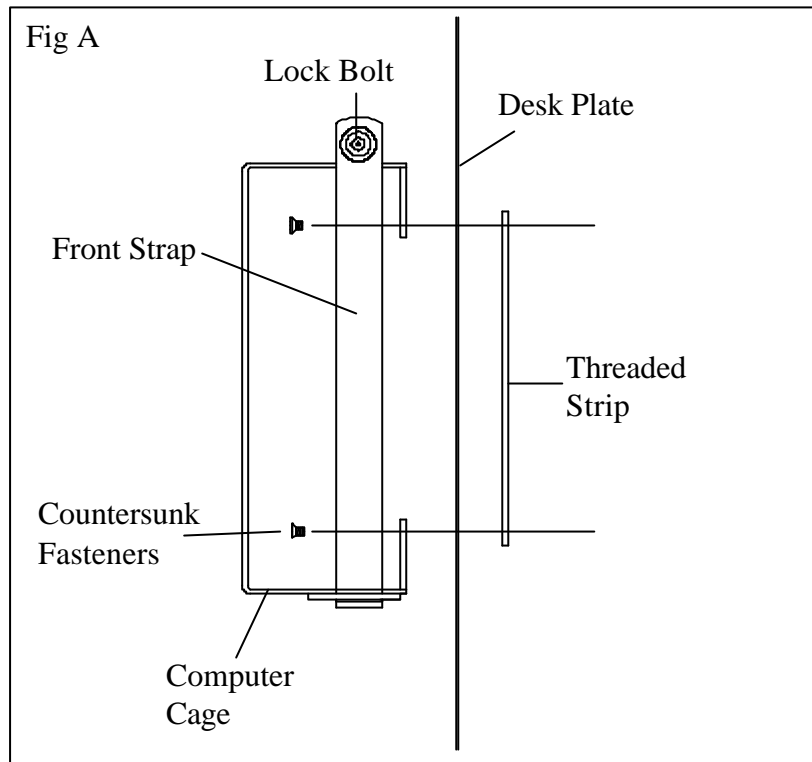


Bulldog Computer Lock

Fitting Instructions



With the computer switched off, isolate from mains supply and remove all plugs from rear of computer, making a note of these positions for reassembly.

1. Offer computer cage to the desk plate and mark out hole positions then drill through with 9mm dia drill bit.
2. Attach the cage to the desk plate using the countersunk fasteners and the threaded strips on the other side. Tighten with the allen key provided.

To Operate Lock:

Unlocking - push key into lock, turn key 1/4 turn anti-clockwise, remove lock bolt. Unhook front strap as in fig B.

Locking - insert lock bolt in un-locked position, turn key 1/4 turn clockwise to lock and remove keys.

We have taken every care in the design and manufacture of this security device and we believe that it is an effective deterrent. However we cannot guarantee that it will resist the efforts of the most determined thief, and as such we do not accept any liability for loss or damage caused by theft, vandalism or other

activity against property to which this

Lock Lubrication.

IMPORTANT - To ensure free movement of the lock, spray outside of lock body with WD40 (or equivalent) minimum every four months.

Key Security. Enter your key number here:

IMPORTANT - Your Bulldog product is supplied with two keys. Make a note of your personal key number in the space provided above and **keep it in a safe place**. Should you lose your keys, replacements can only be obtained from the manufacturer through your dealer.

